

U-802

U-1602

U-3202



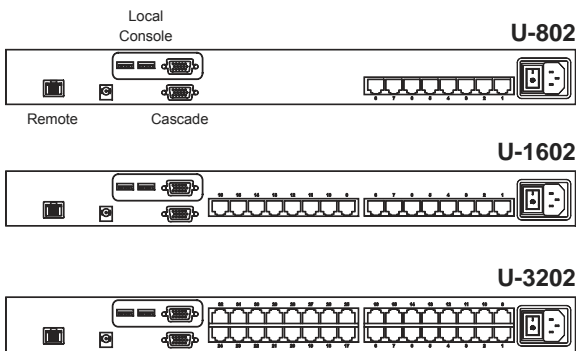
Combo Cat6 2-console KVM Benefits

- ▶ Combo Cat6 KVM with either 8, 16 or 32 ports in 1U
- ▶ Up to 40 meters between your servers & KVM ports
- ▶ Remote access up to 150 meters
- ▶ Cascade switches up to 8 levels & Mix switches between Cat6 & Combo DB-15 KVM
- ▶ Support DVI-USB, VGA-USB & VGA-PS/2 server interface
- ▶ Mix PS/2, USB & SUN with Multi-Platform switch capability

Switch Features & Options

- Multi lingual on screen display menu
- Advanced user profiles and configurable OSD hot key combinations
- Dual power with failover

DC 12V, 24V and 48V DC Power options



Ordering Information

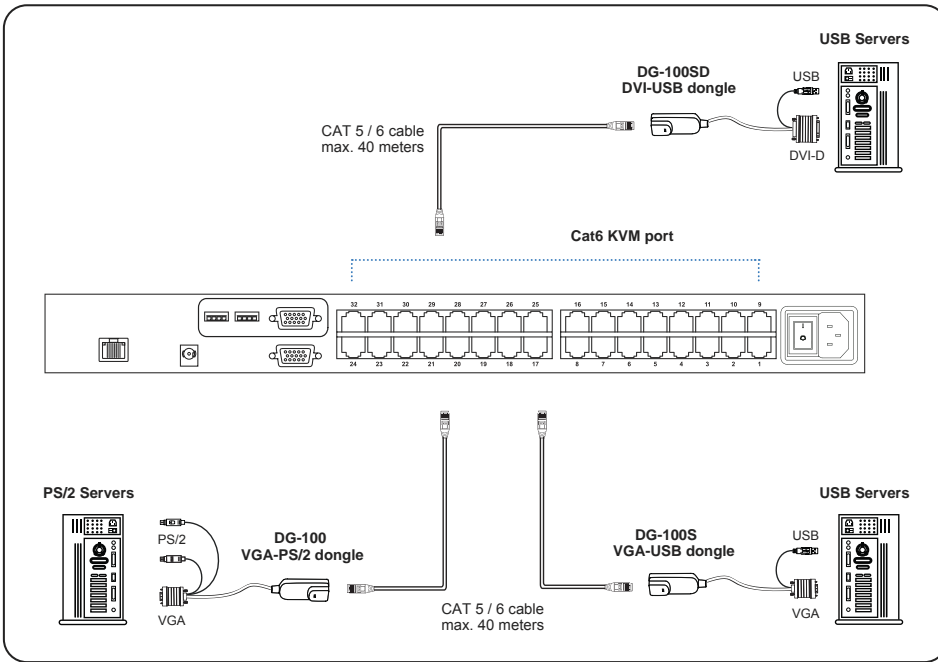
Console	Local	Remote	IP	8-port	16-port	32-port
	1	1	0	U-802	U-1602	U-3202

KVM Specification

<p>■ KVM Port</p> <p>Number of ports: 8, 16 or 32</p> <p>Connector: RJ-45</p> <p>Connectivity: DVI-D / VGA connector dongle up to 40 meters (132 feet) via Cat6 / Cat5 cable</p>
<p>■ Local Console</p> <p>Graphic Connector: 1 x DB-15 VGA</p> <p>Resolution: Up to 1600 x 1200</p> <p>Input device: 2 x USB type A for keyboard & mouse</p> <p>Resolution support: 4:3 - max. 1600 x 1200 16:10 - max. 1440 x 900</p>
<p>■ Remote Console</p> <p>Connector: 1 x DB 15-pin, VGA</p> <p>Resolution: Up to 1600 x 1200</p> <p>Input device: 2 x USB type A for keyboard & mouse</p> <p>Remote I/O: RJ45 via Cat5 / Cat5e / Cat6 cable up to 150m</p> <p>Compensation: Auto adjust for cable length</p> <p>Resolution support: 4:3 - max. 1600 x 1200 16:10 - max. 1440 x 900</p>
<p>■ Expansion: Up to 256 servers by 8-level cascade</p>
<p>■ Compatibility</p> <p>Multi-platform: Mix PCs, SUN and Mac G3 / G4 Mac / iMac</p> <p>Support: Windows 7 / Vista / 2003 / XP, Linux, Unix</p>

<p>■ Power</p> <p>Input: Auto sensing 100 to 240VAC, 50 / 60 Hz OR AC / DC power adapter 12V@3.3A (optional)</p> <p>Option DC: 12V / 24V / 48V DC input</p> <p>Consumption: Max. 48 Watt, Standby 5 Watt</p>
<p>■ Regulatory :</p> <p>Safety: cUL, FCC & CE certified</p> <p>Environment: RoHS2 & REACH compliant</p>
<p>■ Environmental</p> <p>Operating: 0 to 50°C</p> <p>Storage: -5 to 60°C</p> <p>Relative humidity: 90%, non-condensing</p> <p>Shock: 50G peak acceleration (11ms, half-sine wave)</p> <p>Vibration: 58~100Hz / 0.98G (11ms / cycle)</p>
<p>■ Product Information</p> <p>Dimension (W x D x H): 443 x 171 x 44 mm / 17.4 x 6.7 x 1.73 inch</p> <p>Net weight: 3 kg / 6.5 lb</p>
<p>■ Packing Information</p> <p>Dimension (W x D x H): 500 x 400 x 90 mm / 19.7 x 15.7 x 3.5 inch</p> <p>Gross weight: 5 kg / 11 lb</p>

KVM port & Cat6 dongle connection



DG-100SD DVI-USB dongle

- To connect DVI-D connector to the computer's video card
- To connect USB connector to the computer's USB port



DG-100S VGA-USB dongle

- To connect DB-15 connector to the computer's video card
- To connect USB connector to the computer's USB port



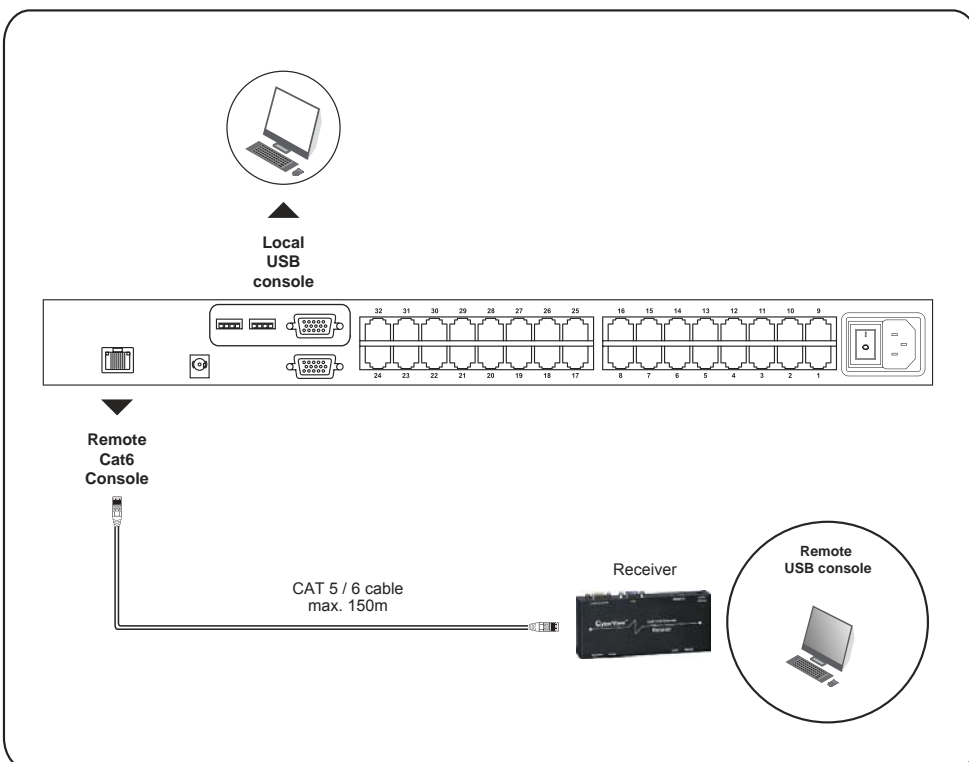
DG-100 VGA-PS/2 dongle

- To connect DB-15 connector to the computer's video card
- To connect PS/2 keyboard connector to the computer's keyboard port
- To connect PS/2 mouse connector to the computer's mouse port

Cat6 Dongle	EDID Resolution Hard-coded	Resolutions Capable			
		4:3			16:10
		1024 x 768	1280 x 1024	1600 x 1200	1440 x 900
DG-100	1600 x 1200	✓	✓	✓	✓*
DG-100S	1600 x 1200	✓	✓	✓	✓*
DG-100SD	1280 x 1024	✓	✓	✗	✗

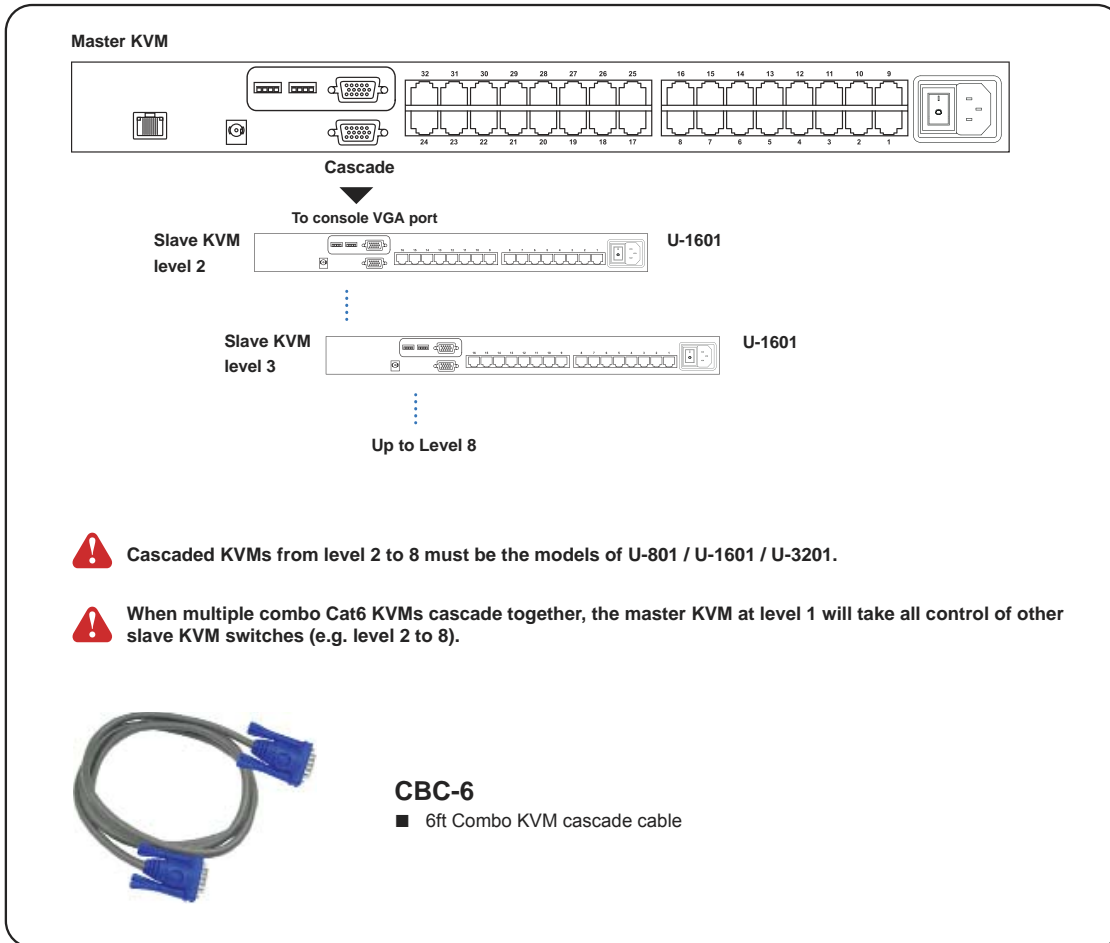
* Requires the user to enable showing unsupported resolutions via the target computer's video adapter settings (effectively ignoring the DDC / EDID)


Remote & Local console connection



KVM Cascade

- Cascade up to 8 levels, 256 servers
- Cascading multiple KVM with CBC-6 cascade cable.



 For detailed product specifications and options, please download the user manual from the link below : www.austin-hughes.com/support/usermanual/cyberview/UM-CV-UKVM.pdf