

### IP-802 IP-1602



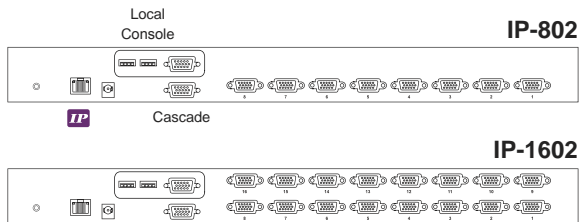
#### Combo DB-15 IP KVM Benefits

- ▶ Combo DB-15 KVM with either 8 or 16 ports in 1U
- ▶ IP remote access across the world wide web
- ▶ Cascade switches up to 8 levels & Mix switches between Cat6 & Combo DB-15 KVM
- ▶ Support resolution up to 1920 x 1080
- ▶ SUN 1152 x 900 resolution compatible
- ▶ Mix PS/2, USB & SUN with Multi-Platform switch capability
- ▶ Cost efficient remote server management between national / global sites

#### Switch Features & Options

- Mix legacy PS/2 servers with newer USB and SUN solutions
- Greater distances between your switch and servers allow enhanced data center rack layouts
- Multi lingual on screen display menu
- Advanced user profiles and configurable OSD hot key combinations

**DC** 12V, 24V and 48V DC Power options



#### Ordering Information

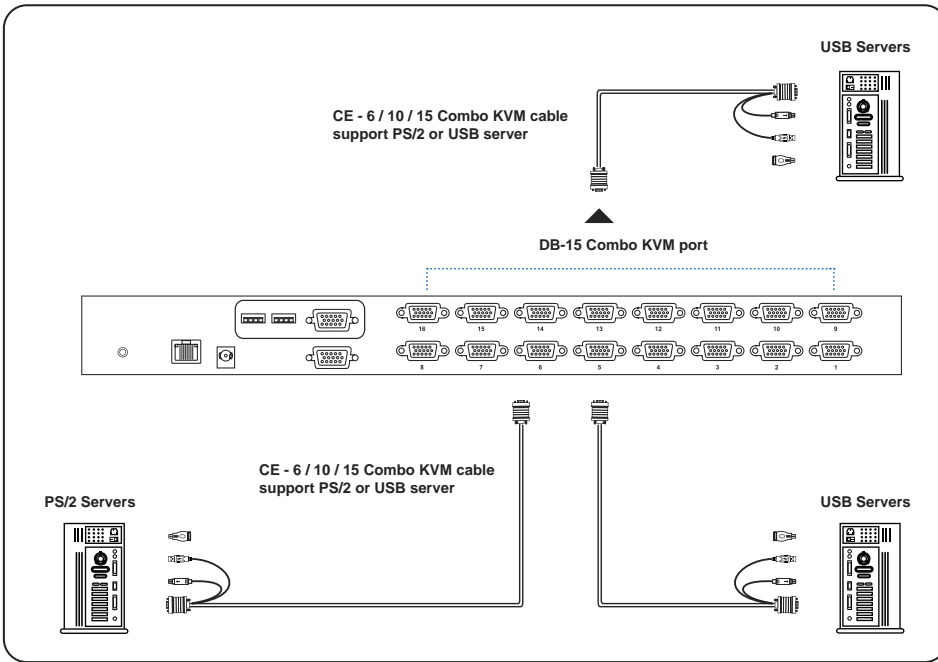
Console	Local	Remote	IP	8-port	16-port
	1	0	1	<b>IP-802</b>	<b>IP-1602</b>

#### KVM Specification

<b>■ KVM Port</b>	
Number of ports:	8 or 16
Connector:	DB-15 combo connector
Connectivity:	Combo 4-in-1 KVM cable, up to 6, 10 & 15 feet
<b>■ Local Console</b>	
Graphic Connector:	1 x DB-15 VGA
Resolution:	Up to 1920 x 1080 / 1920 x 1200
Input device:	2 x USB type A for keyboard & mouse
<b>■ IP Remote Console</b>	
Connector:	RJ45 Ethernet
User management:	15-user login, 1 x active user
Network protocol:	DHCP / BOOTP / DNS
Security:	SSL v3, RSA, AES, HTTP / HTTPS, CSR
Resolution:	Up to 1600 x 1200
Browser:	IE, Firefox, Safari, Netscape
<b>■ Expansion:</b>	Up to 128 servers by 8-level cascade
<b>■ Compatibility</b>	
Multi-platform:	Mix PCs, SUN and Mac G3 / G4 Mac / iMac
Support:	Windows 7 / Vista / 2003 / XP, Linux, Unix

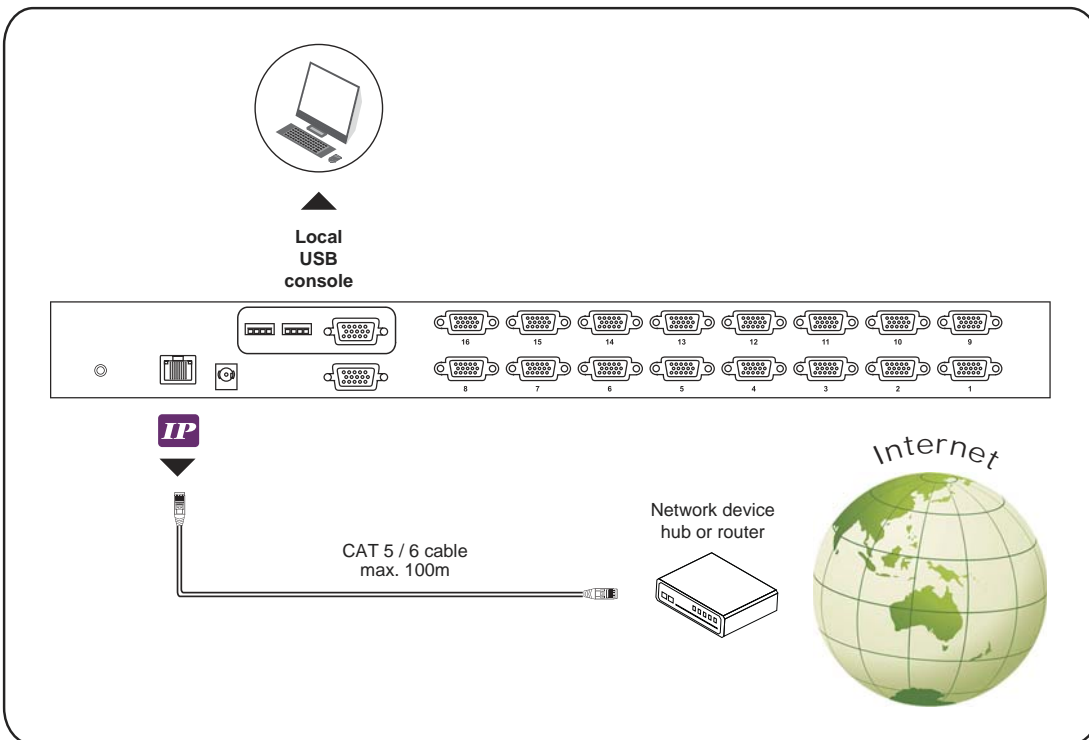
<b>■ Power</b>	
Input:	Auto sensing 100 to 240VAC, 50 / 60 Hz
Option DC:	12V / 24V / 48V DC input
Consumption:	Max. 24 Watt, Standby 5 Watt
<b>■ Regulatory :</b>	
Safety:	cUL, FCC & CE certified
Environment:	RoHS2 & REACH compliant
<b>■ Environmental</b>	
Operating:	0 to 50°C
Storage:	-5 to 60°C
Relative humidity:	90%, non-condensing
Shock:	50G peak acceleration (11ms, half-sine wave)
Vibration:	58~100Hz / 0.98G (11ms / cycle)
<b>■ Product Information</b>	
Dimension (W x D x H):	443 x 171 x 44 mm / 17.4 x 6.7 x 1.73 inch
Net weight:	2.3 kg / 5.1 lb ( IP-802 ) 2.5 kg / 5.5 lb ( IP-1602 )
<b>■ Packing Information</b>	
Dimension (W x D x H):	500 x 400 x 90 mm / 19.7 x 15.7 x 3.5 inch
Gross weight:	3.8 kg / 8.4 lb ( IP-802 ) 4.1 kg / 9 lb ( IP-1602 )

## KVM port connection



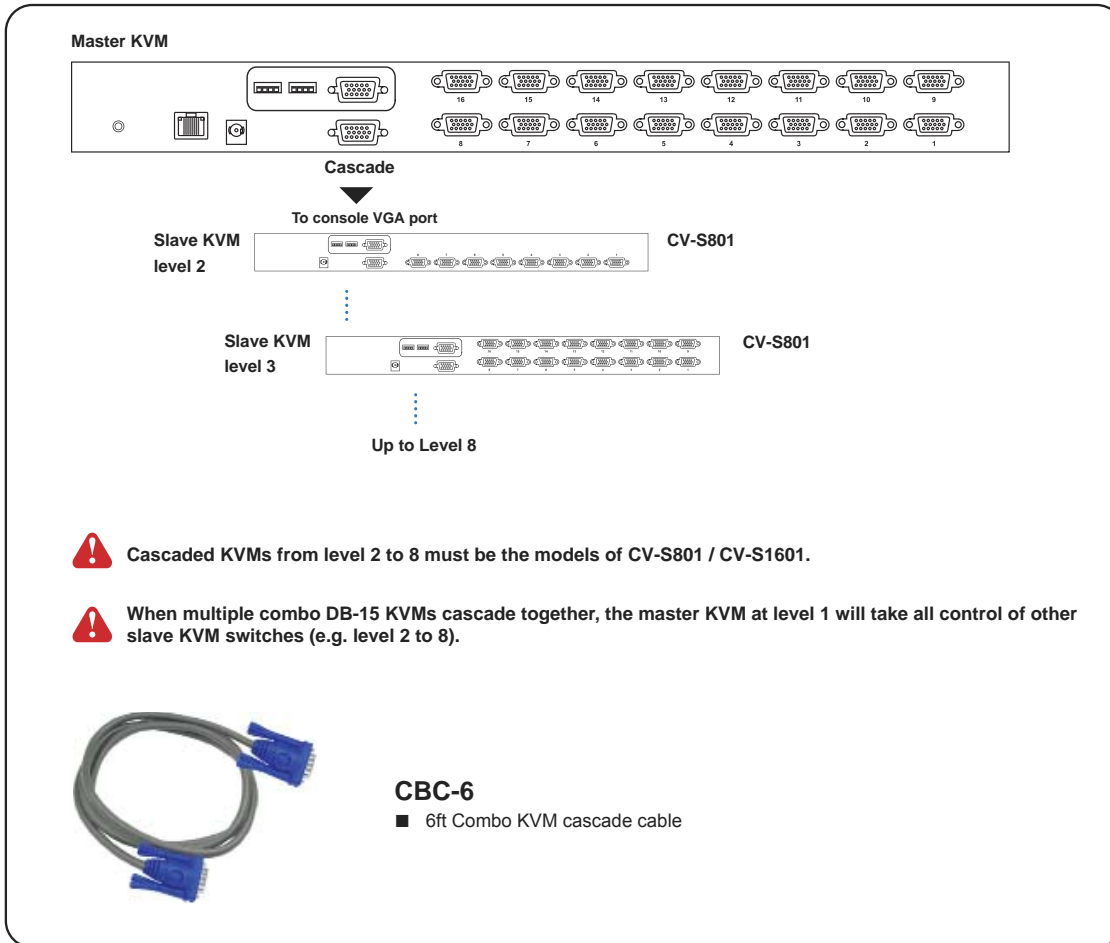
- CE-6 / CE-10 / CE-15**
- 6 / 10 / 15 ft Combo KVM cable
  - Support PS/2 or USB server


## IP & Local console connection



## KVM Cascade

- Cascade up to 8 levels, 128 servers
- Cascading multiple KVM with CBC-6 cascade cable.



 For detailed product specifications and options, please download the user manual from the link below : [www.austin-hughes.com/support/usermanual/cyberview/UM-CV-SKVM.pdf](http://www.austin-hughes.com/support/usermanual/cyberview/UM-CV-SKVM.pdf)