



CV-S101



Receiver



REACH

Transmitter



REACH

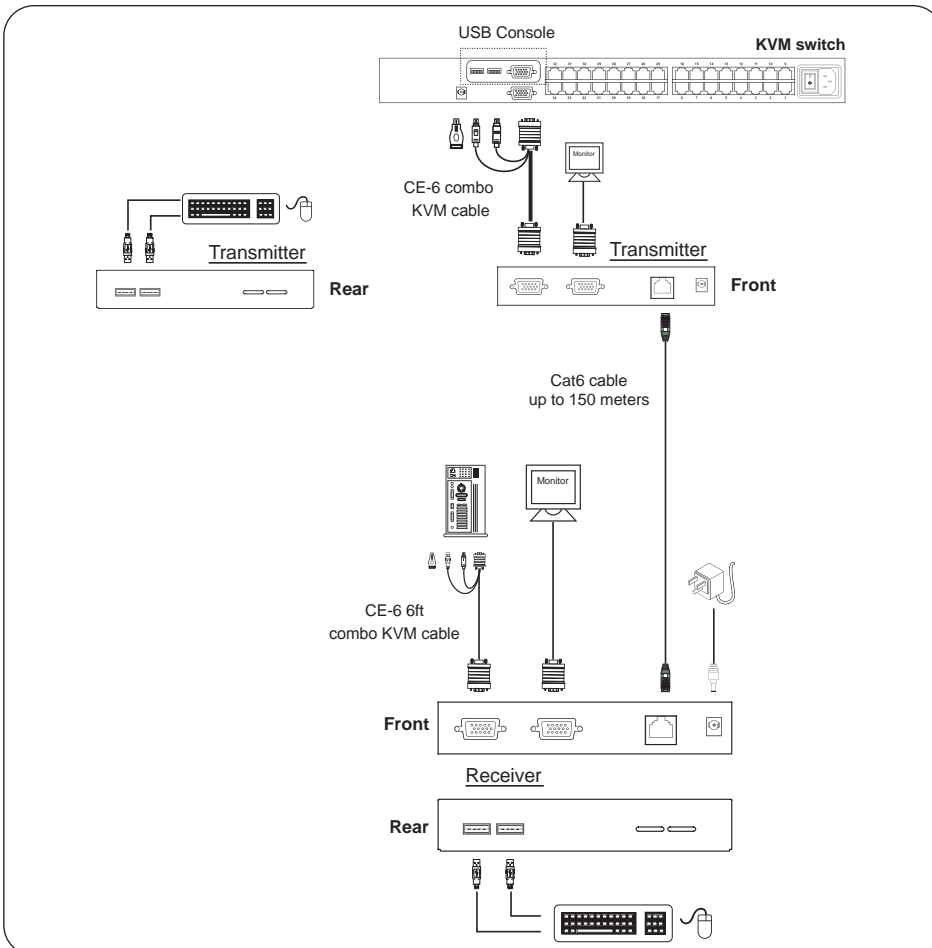
Combo KVM Extender Benefits

- ▶ Remote console up to 150M
- ▶ Dual user access at remote site
- ▶ Pure hardware solution makes network independent
- ▶ No software required

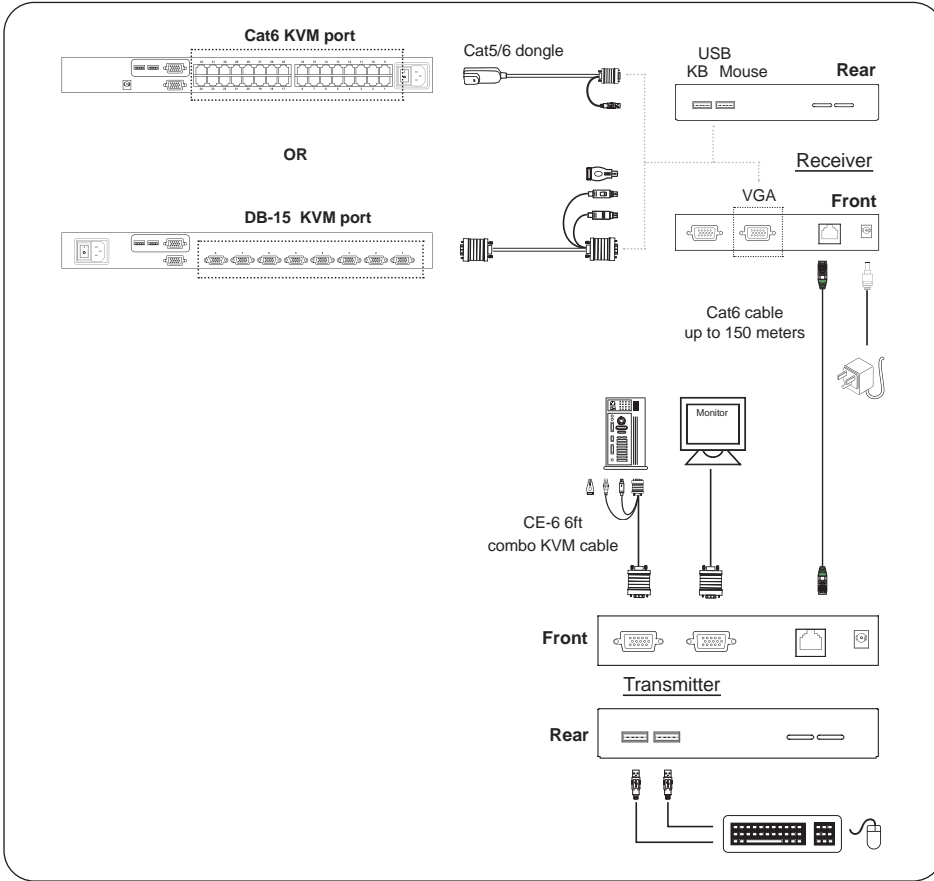
Specification

	Transmitter	Receiver
Console Port	1 x DB-15 VGA, up to 1600 x 1200 2 x USB connector for KB & mouse	1 x DB-15 VGA, up to 1600 x 1200 2 x USB connector for KB & mouse
Remote I / O	1 x RJ-45, connect the receiver up to 150 meter via Cat5/6 cable	1 x RJ-45, connect the receiver up to 150 meter via Cat5/6 cable
Local computer	1 x DB-15 combo KVM port	1 x DB-15 combo KVM port
LED	Power (red) & Status (blue)	Local & Remote (blue)
Power	From attached local computer or optional 12V power adapter	12V power adapter
Operation Temperature	0 ~ 50 °C	0 ~ 50 °C
Storage Temperature	-20 ~ 60 °C	-20 ~ 60 °C
Humidity	0~80%, Non-Condensing	0~80%, Non-Condensing
Dimension	157.8 x 70 x 30.6 mm	157.8 x 70 x 30.6 mm
Weight	370g	370g
Environment	RoHS2 & REACH compliant	RoHS2 & REACH compliant

Application < I > - Extending the KVM console port to 150 meters



Application < II > - Extending the computer to KVM port to 150 meters



! For detailed product specifications and options, please download the user manual from the link below : www.austin-hughes.com/support/usermanual/cyberview/UM-CV-S101.pdf

Application < III > - Extending the computer up to 150 meters

