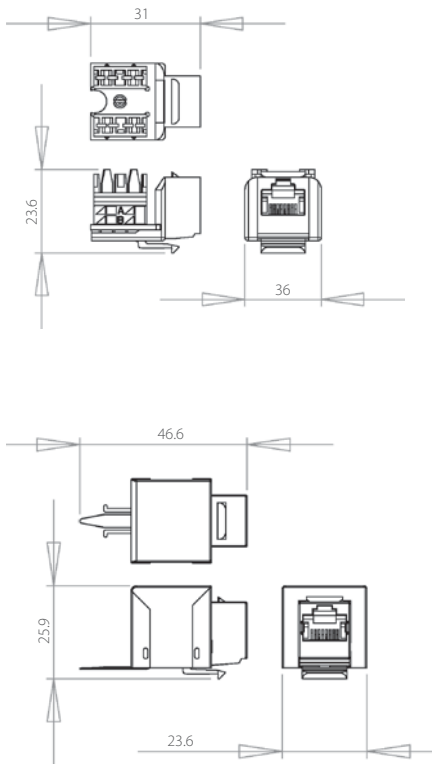




**Brand-Rex Copper Connectivity - 10GPlus Jacks**  
Augmented Category 6 Snap-In-Jacks



**PRODUCT DESCRIPTION**

The Brand-Rex 10GPlus Snap-In-Jack offers true Class EA component performance using a patented contact array design. The 10GPlus system is classified as an Augmented Category 6 and Class EA product set that is fully backwards compatible to Category 6 (Class E) and Category 5e (Class D) products. The jack is also fully compatible with all our UK and Continental style faceplates and products.

**PRODUCT CHARACTERISTICS**

- Outlet Style: Unshielded and shielded Keystone type with RJ-45 ports
- Cable Entry: Top and Rear
- Hole Plate Thickness: Jack will clip into sheet material with a thickness of 1.6mm max.
- Body Material: High impact PBT UL94 - VO
- Jack Contacts: 50µin (1.27µm) gold over nickel plating
- Punch Down Blocks: LSA style IDC
- IDC Contacts: Phosphor Bronze
- Wiring Standard: EIA/TIA 568A/B
- Conformance: Category 6A  
ANSI/EIA/TIA 568C  
ISO/IEC 11801 : 2002 & amm1  
EN50173-1 : 2007

**Product Part Numbering**

	Part Number	Colour	Qty per Pack
10GPlus Unshielded Snap-in-jack	AC6JAKUOK2	Black	12
10GPlus Unshielded Snap-in-jack	AC6JAKUOK3	White	12
10GPlus Shielded Snap-in-jack	AC6JAKFOK2	Metallic	12